



LEFROY BROOKS

1 8 2 8 T R O U T M A N S T R E E T  
R I D G E W O O D N E W Y O R K N Y 1 1 3 8 5 U S A  
T : + 1 ( 7 1 8 ) 3 0 2 5 2 9 2 F : + 1 ( 7 1 8 ) 3 0 2 4 1 7 7

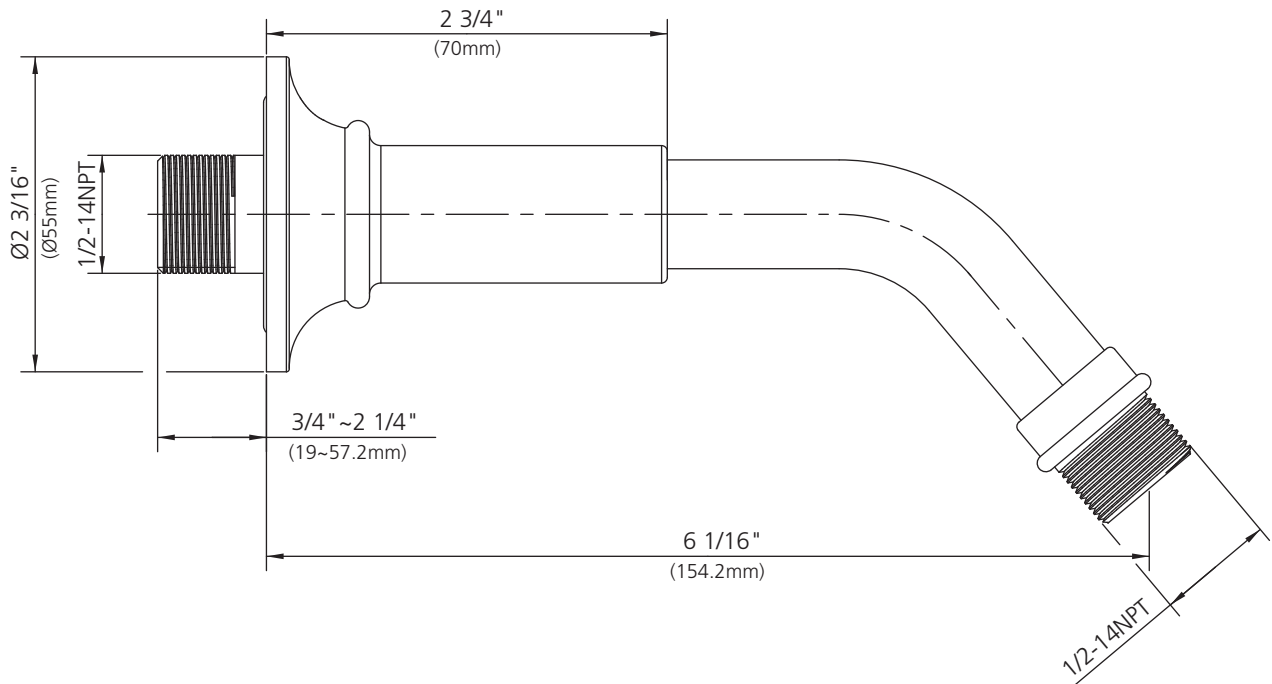
Y1-4612

ANGLED SHOWER PROJECTION ARM

DIMENSIONAL DATA SHEET

DATE: 15 August 2012

No: A558209



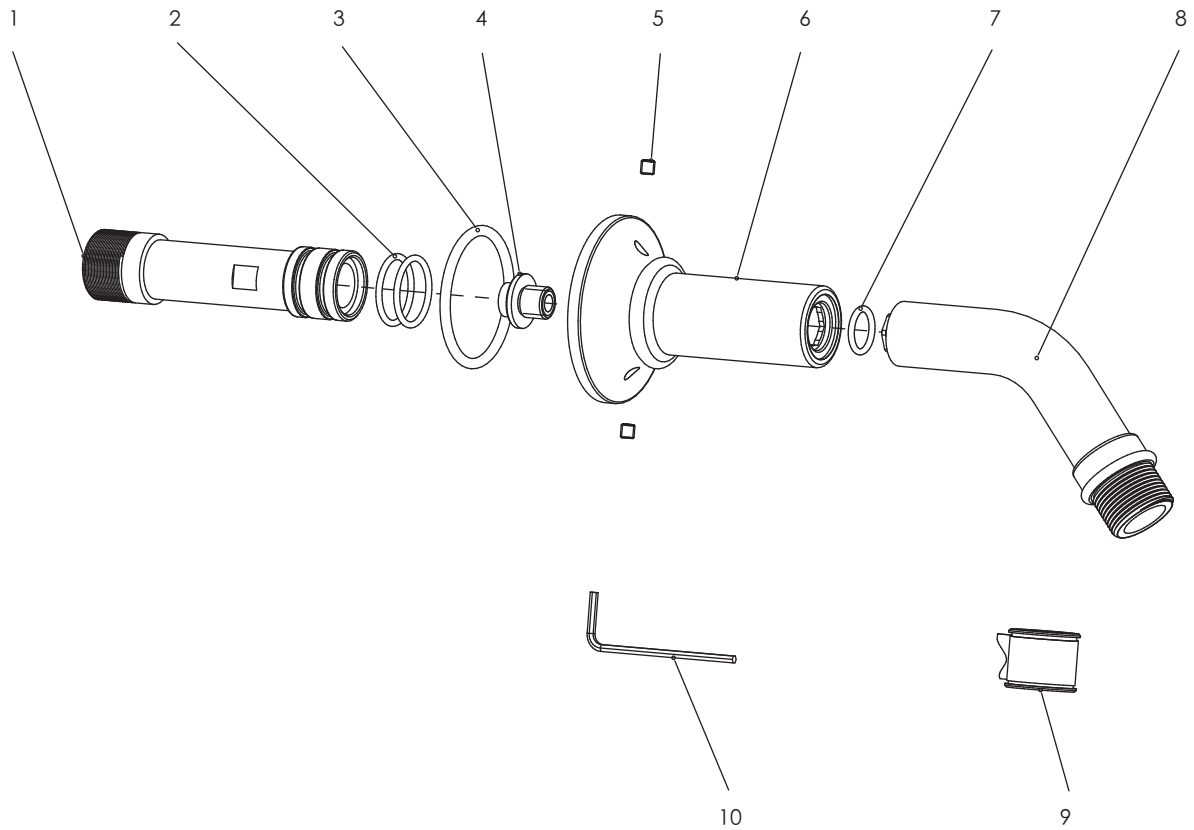
COPYRIGHT © LBIP LTD 2012. ALL RIGHTS RESERVED.

DIMENSIONS IN INCHES & MILLIMETRES

WHILST EVERY EFFORT IS MADE TO ENSURE THE ACCURACY OF THESE DATA SHEETS THEY ARE SUBJECT TO CHANGE WITHOUT NOTICE AS PART OF THE COMPANY'S PRODUCT DEVELOPMENT PROCESS

# Y1-4612

ANGLED SHOWER PROJECTION ARM



- 1 Connecting pipe (035543)
- 2 O-ring (004037N)
- 3 O-ring (004188)
- 4 Adaptor (039029)
- 5 Screw (065021)
- 6 Base (071209)
- 7 O-ring (004023N)
- 8 Shower arm assembly (020185)
- 9 Teflon tape (203000)
- 10 Allen key (031003)

## Standards

Meets A112.18.1